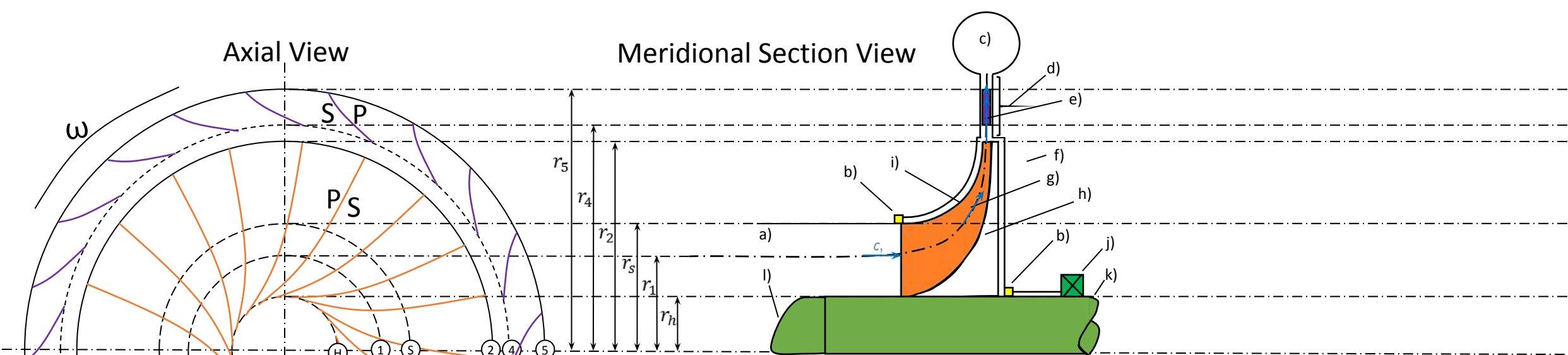


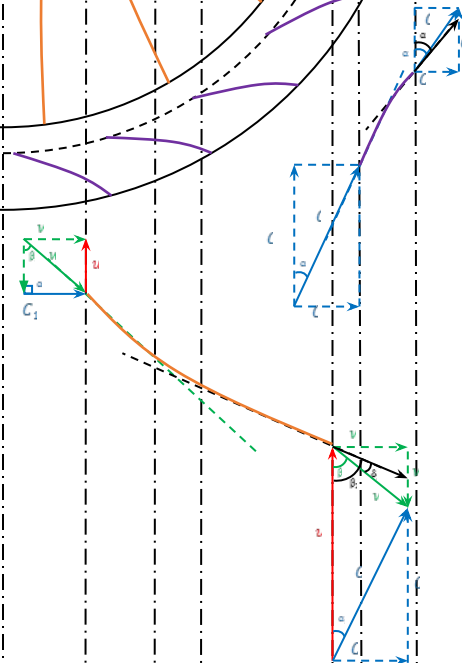
Axial View

Meridional Section View



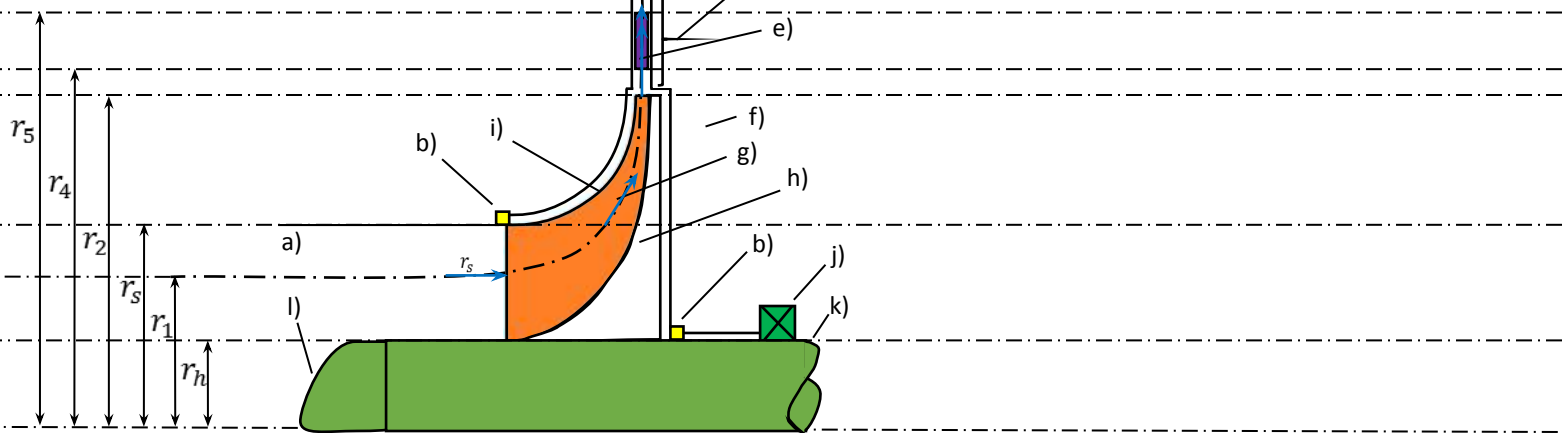
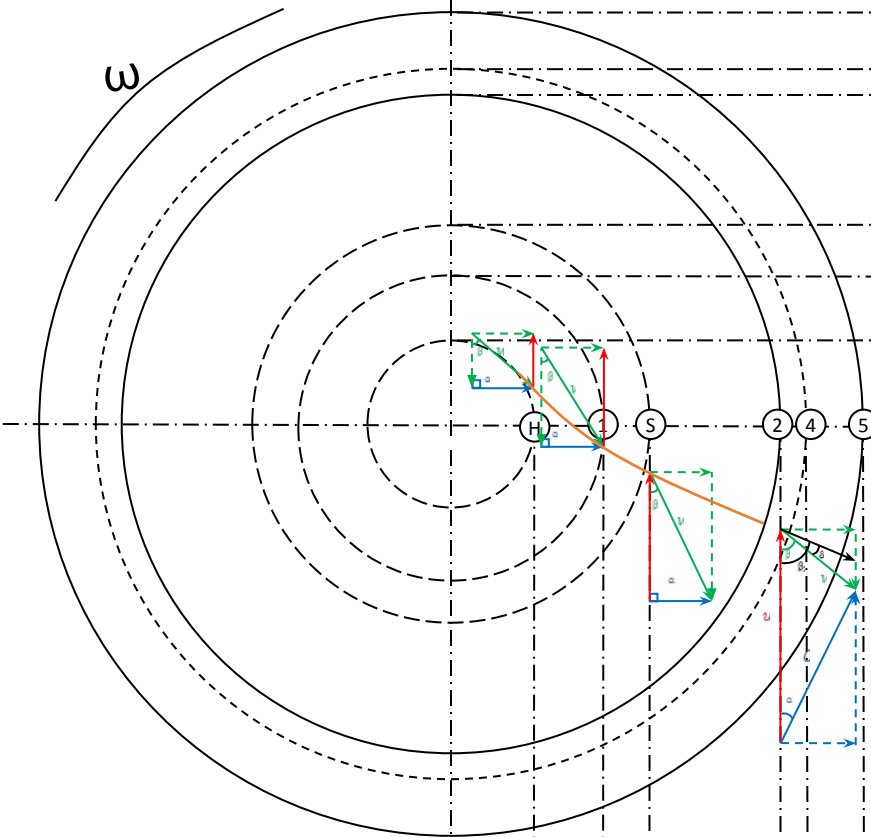
- a) Eye
- b) Seal
- c) Volute (area after diffuser)
- d) Diffuser
- e) Outlet guide vanes (OGV)
- f) Housing
- g) Impeller (Rotor, Wheel, Runner)
- h) Back shroud (Disc)
- i) Front shroud
- j) Bearing
- k) Shaft
- l) Hub cover

Scale
 Radius 1:4
 Vectors 1:380



Axial View

Meridional Section View

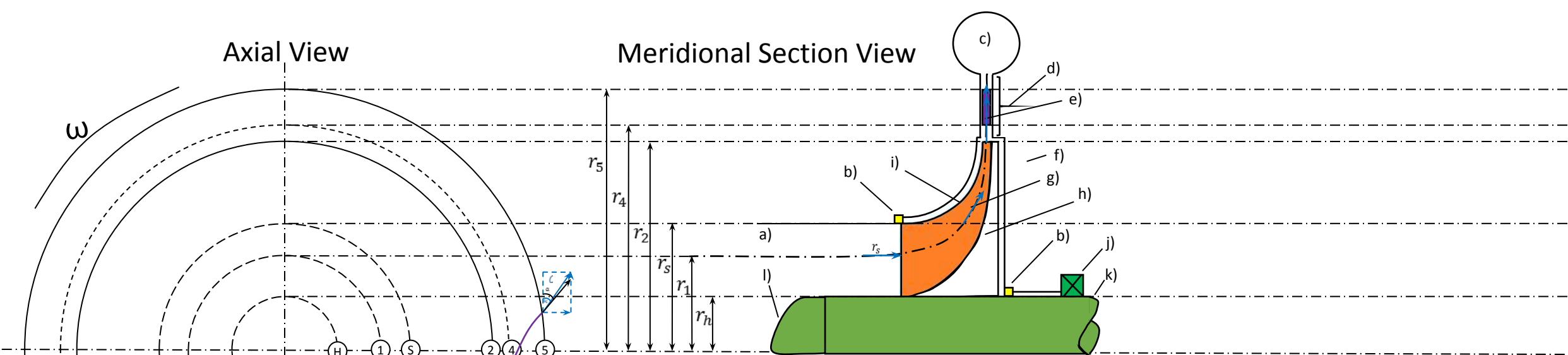


- a) Eye
- b) Seal
- c) Volute (area after diffuser)
- d) Diffuser
- e) Outlet guide vanes (OGV)
- f) Housing
- g) Impeller (Rotor, Wheel, Runner)
- h) Back shroud (Disc)
- i) Front shroud
- j) Bearing
- k) Shaft
- l) Hub cover

Scale
 Radius 1:4
 Vectors 1:380

Axial View

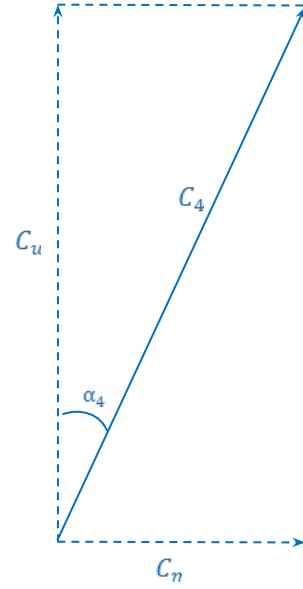
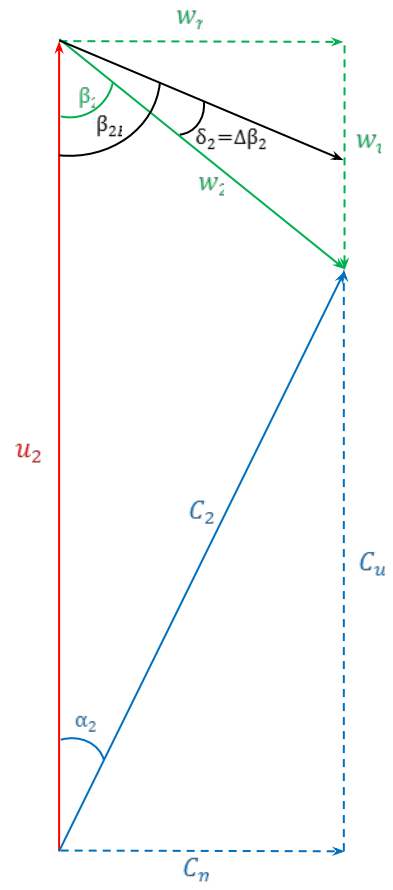
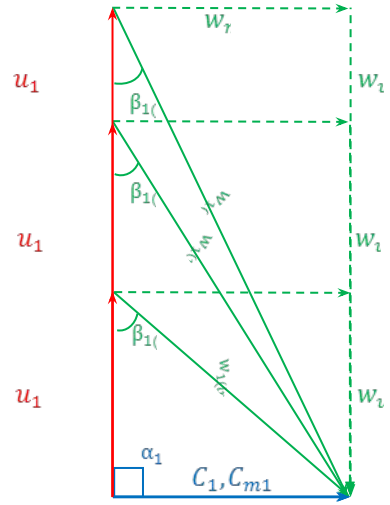
Meridional Section View



- a) Eye
- b) Seal
- c) Volute (area after diffuser)
- d) Diffuser
- e) Outlet guide vanes (OGV)
- f) Housing
- g) Impeller (Rotor, Wheel, Runner)
- h) Back shroud (Disc)
- i) Front shroud
- j) Bearing
- k) Shaft
- l) Hub cover

Scale
 Radius 1:4
 Vectors 1:380

Scale 1:100



Scale 1:100

