



SCD Engineering

(Superior Custom Design LLC.)

Detroit, MI



www.superiorcustomdesignline.com



Professional Engineering in Design and Development

SCD Engineering: where engineering and innovation unite to elevate projects through exceptional design, precision, and cutting-edge solutions

*Seeking an engineering design team to turn an idea into reality?
Have a customer in need of engineering design assistance?*

– We are here to help –



Services

- Engineering design and detail drawings
 - Injection molding, precision CNC machining, sheet metal forming, metal casting, injection and compression foam, and more
- 3D Printing
 - Accuracy: +/- 0.1mm (0.004in)
 - PLA, ABS, ABS-GF25, PETG-T, ASA, ASA-AERO, TPU95A-HF, PP, ULTRA PA (Nylon), PC/ABS-FR, PLA-CF, PET-CF, PAHT-CF, PA12-CF, and more
- Reverse engineering
 - Generate drawings from existing parts or assemblies (or vice versa)
- Functional fixtures & gages design
 - Complete gage design referencing GD&T drawings or part
- Engineering collaboration or partnership
 - Provide assistance on overflow projects

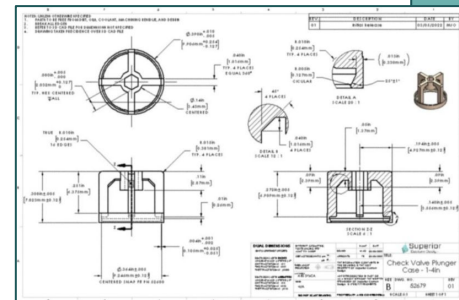
Goals

Whether finishing existing ideas or starting from scratch, our aim is to create designs that transform ideas into reality

Industries

Automotive, consumer, tool and die, medical, and more

Inquire about our trusted local and national partnerships to bring your products to life



(248) 202-9005

mitch@superiorcustomdesignline.com
troy@superiorcustomdesignline.com